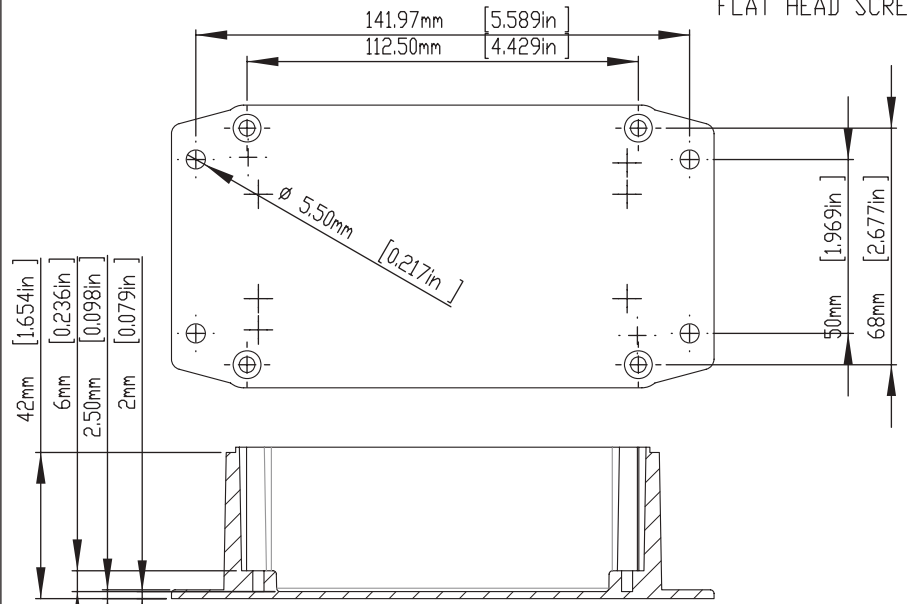
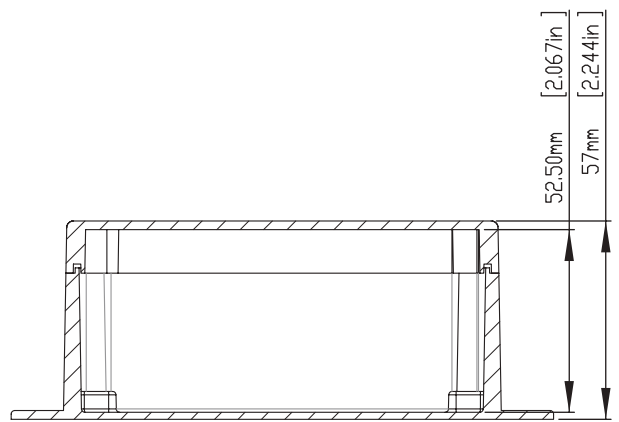


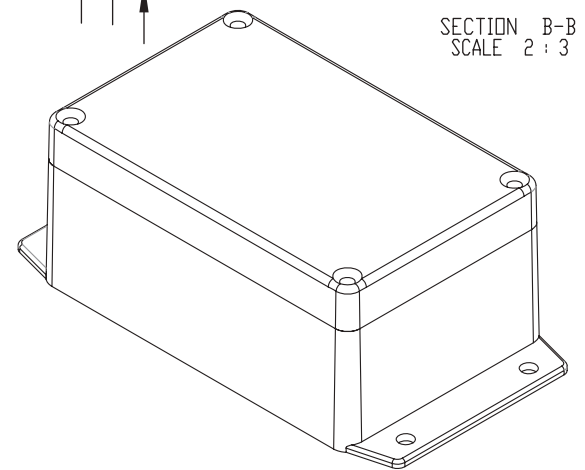
SECTION B-B
 SCALE 2 : 3



SECTION A-A
 SCALE 2 : 3



ASSEMBLY



According to ISO 2768-m

Measuring DIM=L	Tolerances
0.5<L<=3.0mm	±0.1mm
3.0<L<=6.0 mm	±0.1mm
6.0<L<=30.0 mm	±0.2mm
30.0<L<=120.0 mm	±0.3mm
120.0<L<=400.0 mm	±0.5mm
400.0<L<=1000.0 mm	±0.8mm

宣又實業有限公司
 GAINTA INDUSTRIES LTD.

繪圖 DRA'D BY
 JACKY

日期 DATE
 2013/04/01

材質 MATE.
 ALUMINIUM ALLOY ADC-12

圖名TITLE:
 G108MF

圖號DWG NO:

版次REVISID:
 A